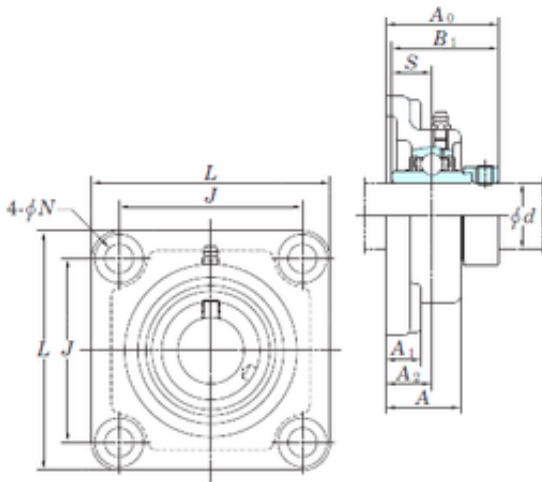




Bearing Driveshaft do Brasil

KOYO NANF206-20 bearing units

Bearing No. NANF206-20



NANF206-20 Bearing 2D drawings and 3D CAD models

Bore Diameter	31.75 mm
d	31.75 mm
A0	51,1 mm
A	34 mm
A1	16 mm
B1	48,4 mm
J	83 mm
L	108 mm
N	13 mm
S	18,3 mm
Bolt (G)	11,113
A2	21 mm
Weight	1,4 Kg
Basic dynamic load rating (C)	19,5 kN
Basic static load rating (C0)	11,3 kN