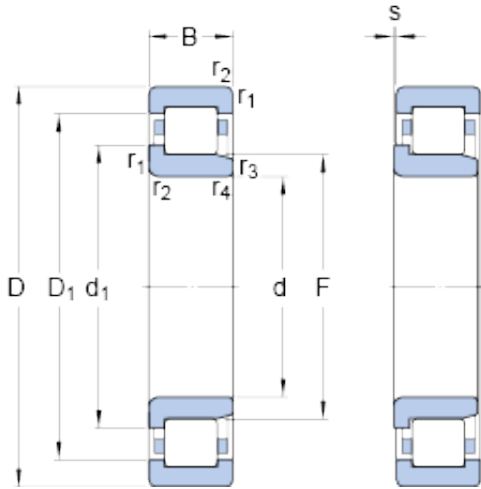




Bearing Driveshaft do Brasil



40 mm x 90 mm x 33 mm SKF NJ 2308 ECP
thrust ball bearings

Bearing No. NJ 2308 ECP

NJ 2308 ECP Bearing 2D drawings and 3D CAD models

Size	90x40x33 mm
Bore Diameter	90 mm
Outer Diameter	40 mm
Width	33 mm
d	40 mm
D	90 mm
B	33 mm
d ₁	57.5 mm
D ₁	75 mm
F	52 mm
r _{1,2} - min.	1.5 mm
r _{3,4} - min.	1.5 mm
s	2.9 mm
d _a - min.	48 mm
d _a - max.	50 mm
d _b - min.	60 mm
D _a - max.	81.8 mm
r _a - max.	1.5 mm
Basic dynamic load rating - C	129 kN
Basic static load rating - C ₀	120 kN
Fatigue load limit - P _u	15.3 kN
Reference speed	8000 r/min
Limiting speed	9500 r/min
Calculation factor - k _r	0.25



Bearing Driveshaft do Brasil

Category	Cylindrical Roller Bearings
Inventory	0.0
Manufacturer Name	SKF
Minimum Buy Quantity	N/A
Weight / Kilogram	0.974
EAN	7316577029362
Product Group	B04144
Bore Profile	Straight
Cage Material	Polymer
Precision Class	RBEC 1 ISO P0
Number of Rows of Rollers	Single Row
Separable	Inner Ring - One Side
Rolling Element	Cylindrical Roller Bearing
Profile	Complete with Outer and Inner Ring
Snap Ring	No
Internal Clearance	C0-Medium
Retainer	Yes
Relubricatable	Yes
Inch - Metric	Metric
Other Features	High Capacity 1 Rib Inner Ring 2 Rib Outer Ring Cage on Outer Ring ID
Long Description	40MM Bore; Straight Bore Profile; 90MM Outside Diameter; 33MM Width; Polymer Cage Material; RBEC 1 ISO P0; Single Row; Inner Ring - One Side Separable; No Snap Ring; Relubricatable; C0-Medium Inter
Category	Cylindrical Roller Bearing
UNSPSC	31171547
Harmonized Tariff Code	8482.50.00.00
Noun	Bearing



Bearing Driveshaft do Brasil

Manufacturer URL	http://www.skf.com
Manufacturer Item Number	NJ 2308 ECP
Weight / LBS	2.145
Width	1.299 Inch 33 Millimeter
Bore	1.575 Inch 40 Millimeter
Outside Diameter	3.543 Inch 90 Millimeter
bore diameter:	40 mm
precision rating:	RBEC 1 (ISO Class Normal)
outside diameter:	90 mm
maximum rpm:	9500 RPM
overall width:	33 mm
bearing material:	Steel
flanges:	(2) Outer Ring, (1) Inner Ring
cage material:	Polyamide
bore type:	Straight
finish/coating:	Uncoated
number of rows:	1
closure type:	Open
internal clearance:	C0
application:	Piston Type Machines, Rolling Mills, Spindles/Machine Tools
ring separation:	Separable Ring
outer ring width:	33 mm
operating temperature range:	Maximum of +300 ° F
fillet radius:	1.5 mm
dynamic load capacity:	129 kN
series:	NJ23
static load capacity:	120 kN
d ₁	57.5 mm
D ₁	75 mm



Bearing Driveshaft do Brasil

$r_{1,2}$ min.	1.5 mm
$r_{3,4}$ min.	1.5 mm
s max.	2.9 mm
d_a min.	48 mm
d_a max.	50 mm
d_b min.	60 mm
D_a max.	81.8 mm
r_a max.	1.5 mm
Basic dynamic load rating C	129 kN
Basic static load rating C_0	120 kN
Fatigue load limit P_u	15.3 kN
Calculation factor k_r	0.25
Limiting value e	0.3
Axial load factor Y	0.4
Mass bearing	0.95 kg