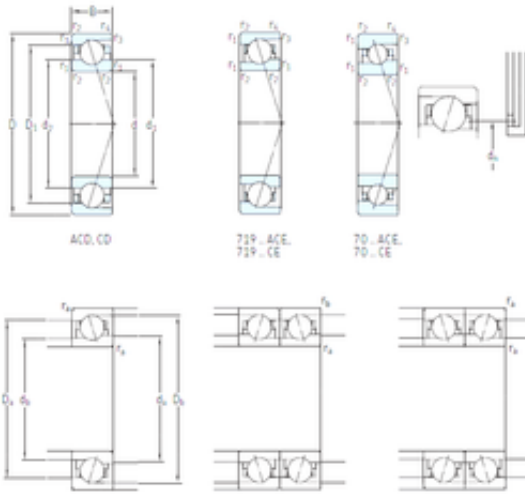




Bearing Driveshaft do Brasil



80 mm x 110 mm x 16 mm SKF 71916
CB/HCP4A angular contact ball bearings

Bearing No. 71916 CB/HCP4A

71916 CB/HCP4A Bearing 2D drawings and 3D CAD models

Size	80x110x16 mm
Bore Diameter	80 mm
Outer Diameter	110 mm
Width	16 mm
d	80 mm
D	110 mm
B	16 mm
C	16 mm
d1	90,7 mm
d2	89,2 mm
r1 min.	1 mm
r2 min.	1 mm
r3 min.	0,6 mm
r4 min.	0,6 mm
D1	102,2 mm
D2	102,2 mm
da min.	84,6 mm
Da max.	105 mm
db min	84,6 mm
ra max.	1 mm
rb max.	0,6 mm
dh	91,7 mm
Db max	106,8 mm
Weight	0,35 Kg
Basic dynamic load rating (C)	15,6 kN



Bearing Driveshaft do Brasil

Basic static load rating (C ₀)	14,6 kN
(Grease) Lubrication Speed	19 000 r/min
(Oil) Lubrication Speed	30 000 r/min
Fatigue load limit (P _u)	0,63
d ₁	90.7 mm
d ₂	89.2 mm
D ₂	102.2 mm
r _{1,2} min.	1 mm
r _{3,4} min.	0.6 mm
a	24.9 mm
d _a min.	84.6 mm
d _b min.	84.6 mm
D _a max.	105 mm
D _b max.	106.8 mm
r _a max.	1 mm
r _b max.	0.6 mm
d _n	91.7 mm
Basic dynamic load rating C	21.2 kN
Basic static load rating C ₀	24 kN
Fatigue load limit P _u	0.63 kN
Attainable speed for grease lubrication	19000 r/min
Attainable speed for oil-air lubrication	30000 r/min
Ball diameter D _w	6.747 mm
Number of balls z	34
Reference grease quantity G _{ref}	5.29 cm ³
Preload class A G _A	52 N
Static axial stiffness, preload class A	55 N/ μ m
Preload class B G _B	105 N
Static axial stiffness, preload class B	72 N/ μ m



Bearing Driveshaft do Brasil

Preload class C G_C	310 N
Static axial stiffness, preload class C	115 N/ μ m
Calculation factor f	1.13
Calculation factor f_1	1
Calculation factor f_{2A}	1
Calculation factor f_{2B}	1.03
Calculation factor f_{2C}	1.08
Calculation factor f_{HC}	1.01
Calculation factor f_0	9.9
Mass bearing	0.35 kg