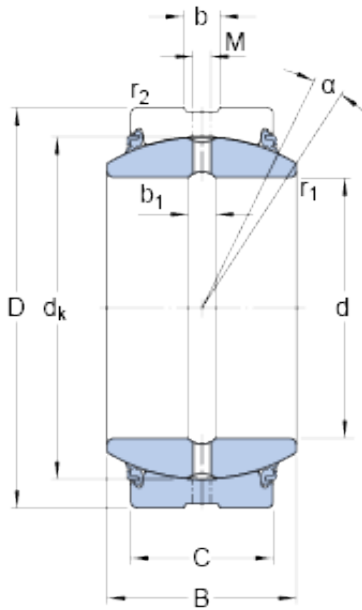




## Bearing Driveshaft do Brasil

44.45 mm x 71.438 mm x 38.887 mm SKF GEZ  
112 ES-2LS plain bearings

Bearing No. GEZ 112 ES-2LS



GEZ 112 ES-2LS Bearing 2D drawings and 3D CAD models

Size	71.438x44.45x38.887 mm
Bore Diameter	71,438 mm
Outer Diameter	44,45 mm
Width	38,887 mm
d	44.45 mm
D	71.438 mm
B	38.887 mm
C	33.325 mm
	6 °
d <sub>k</sub>	63.881 mm
b	4.8 mm
b <sub>1</sub>	5 mm
M	4 mm
r <sub>1</sub> - min.	0.6 mm
r <sub>2</sub> - min.	1 mm
d <sub>a</sub> - min.	48.5 mm
d <sub>a</sub> - max.	50.7 mm
D <sub>a</sub> - min.	61.3 mm
D <sub>a</sub> - max.	67.4 mm
r <sub>a</sub> - max.	0.6 mm
r <sub>b</sub> - max.	1 mm
Basic dynamic load rating - C	170 kN
Basic static load rating - C <sub>0</sub>	510 kN
Specific factor dinamic load - K	100 N/mm <sup>2</sup>



## Bearing Driveshaft do Brasil

Specific factor static load - $K_0$	300 N/mm <sup>2</sup>
Constant - $K_M$	330
Size	44.45x71.438x38.887 mm
Bore Diameter	44,45 mm
Outer Diameter	71,438 mm
Width	38,887 mm
d	44.45 mm
D	71.438 mm
B	38.887 mm
C	33.325 mm
	6 °
$d_k$	63.881 mm
b	4.8 mm
$b_1$	5 mm
M	4 mm
$r_1$ - min.	0.6 mm
$r_2$ - min.	1 mm
$d_a$ - min.	48.5 mm
$d_a$ - max.	50.7 mm
$D_a$ - min.	61.3 mm
$D_a$ - max.	67.4 mm
$r_a$ - max.	0.6 mm
$r_b$ - max.	1 mm
Basic dynamic load rating - C	170 kN
Basic static load rating - $C_0$	510 kN
Specific factor dinamic load - K	100 N/mm <sup>2</sup>
Specific factor static load - $K_0$	300 N/mm <sup>2</sup>
Constant - $K_M$	330



## Bearing Driveshaft do Brasil

Lubricant	Regular relubrication – grease
Design (sliding contact surface combination)	Steel/steel
Sealing solution	Triple-lip seals
	6 °
$d_k$	63.881 mm
$b_1$	5 mm
$r_1$ min.	0.6 mm
$r_2$ min.	1 mm
$d_a$ min.	48.5 mm
$d_a$ max.	50.7 mm
$D_a$ min.	61.3 mm
$D_a$ max.	67.4 mm
$r_a$ max.	0.6 mm
$r_b$ max.	1 mm
Basic dynamic load rating C	170 kN
Basic static load rating $C_0$	510 kN
Specific dynamic load factor K	100 N/mm <sup>2</sup>
Specific static load factor $K_0$	300 N/mm <sup>2</sup>
Material constant $K_M$	330
Mass plain bearing	0.64 kg