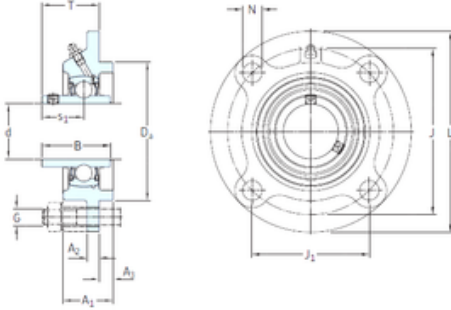




## Bearing Driveshaft do Brasil



FYC 60 TF Bearing 2D drawings and 3D CAD models

### SKF FYC 60 TF bearing units

Bearing No. FYC 60 TF

Bore Diameter	60 mm
d	60 mm
Da	135 mm
s1	39,7 mm
A1	48 mm
B	65,1 mm
G	16 mm
J	160 mm
L	195 mm
N	19 mm
T	56,7 mm
A2	15 mm
A3	12 mm
J1	113,1 mm
Weight	4,9 Kg
Basic dynamic load rating (C)	52,7 kN
Basic static load rating (C0)	36 kN
Fatigue load limit (Pu)	1,53
Category	Flange Block Bearings
Inventory	0.0
Manufacturer Name	SKF
Minimum Buy Quantity	N/A
Weight / Kilogram	4.9
EAN	7316570415490
Product Group	M06110
Number of Mounting Holes	4



## Bearing Driveshaft do Brasil

Mounting Method	Set Screw
Housing Style	4 Bolt Round Flange Cartridge
Rolling Element	Ball Bearing
Housing Material	Cast Iron
Expansion / Non-expansion	Non-expansion
Mounting Bolts	16 Millimeter
Relubricatable	Yes
Insert Part Number	YAR 212-2F
Seals	M Seal
Housing Configuration	1 Piece Solid
Pilot Configuration	With Pilot
Inch - Metric	Metric
Long Description	4 Bolt Round Flange Cartridge; 60MM Bore; 160MM Bolt Circle; 113.1MM Bolt Spacing; 1 Piece Solid; Set Screw Mount; Cast Iron; Ball Bearing; 65.09MM Length Thru Bore; Relubricatable; M Seal Seals
Other Features	Single Row   Wide Inner Race   Open End   Has Flinger   Y Bearing
Category	Flange Block
UNSPSC	31171501
Harmonized Tariff Code	8483.20.40.40
Noun	Bearing
Keyword String	Flanged
Manufacturer URL	<a href="http://www.skf.com">http://www.skf.com</a>
Manufacturer Item Number	FYC 60 TF
Weight / LBS	10.8
Bolt Spacing	4.453 Inch   113.1 Millimeter
Cartridge Pilot Depth	0.472 Inch   12 Millimeter



## Bearing Driveshaft do Brasil

Nominal Bolt Circle Diameter Round	6.3 Inch   160 Millimeter
Length Thru Bore	2.563 Inch   65.09 Millimeter
Bore	2.362 Inch   60 Millimeter
Cartridge Pilot Diameter	5.315 Inch   135 Millimeter
Housing material	Cast iron
A	48 mm
A <sub>1</sub>	15 mm
A <sub>3</sub>	12 mm
B <sub>4</sub>	10 mm
D <sub>a</sub>	135 mm
D <sub>b</sub>	137.1 mm
J <sub>1</sub>	113.1 mm
s <sub>1</sub>	39.7 mm
R <sub>G</sub>	1/4-28 UNF
R <sub>1</sub>	24.5 mm
D <sub>N</sub>	6.5 mm
SW <sub>N</sub>	7 mm
G <sub>N</sub>	1/4-28 SAE-LT
Basic dynamic load rating C	52.7 kN
Basic static load rating C <sub>0</sub>	36 kN
Fatigue load limit P <sub>u</sub>	1.53 kN
Limiting speed with shaft tolerance h6	3400 r/min
Mass unit	4.8 kg
Thread grub screw G <sub>2</sub>	M10x1
Hexagonal key size for grub screw N	5 mm
Recommended tightening torque for grub screw	16.5 N · m
Recommended diameter for attachment bolts, mm G	16 mm
Recommended diameter for	0.625 in



## Bearing Driveshaft do Brasil

attachment bolts, inch G	
Bearing	YAR 212-2F
Housing	FYC 512