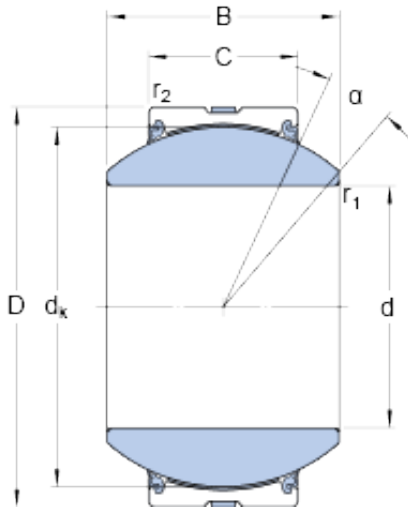




## Bearing Driveshaft do Brasil



GEH 90 TXA-2LS Bearing 2D drawings and 3D CAD models

90 mm x 150 mm x 85 mm SKF GEH 90  
TXA-2LS plain bearings

Bearing No. GEH 90 TXA-2LS

Size	150x90x85 mm
Bore Diameter	150 mm
Outer Diameter	90 mm
Width	85 mm
d	90 mm
D	150 mm
B	85 mm
C	55 mm
	15 °
dk	130 mm
r <sub>1</sub> - min.	1 mm
r <sub>2</sub> - min.	1 mm
d <sub>a</sub> - min.	98.3 mm
d <sub>a</sub> - max.	98.3 mm
D <sub>a</sub> - min.	131 mm
D <sub>a</sub> - max.	144 mm
r <sub>a</sub> - max.	1 mm
r <sub>b</sub> - max.	1 mm
Basic dynamic load rating - C	1730 kN
Basic static load rating - C <sub>0</sub>	2850 kN
Specific factor dynamic load - K	300 N/mm <sup>2</sup>
Specific factor static load - K <sub>0</sub>	500 N/mm <sup>2</sup>
Lubricant	Maintenance free – dry



## Bearing Driveshaft do Brasil

	Lubrication
Design (sliding contact surface combination)	Steel/PTFE fabric
Sealing solution	Triple-lip seals
	15 °
$d_k$	130 mm
$r_1$ min.	1 mm
$r_2$ min.	1 mm
$d_a$ min.	98.3 mm
$d_a$ max.	98.3 mm
$D_a$ min.	131 mm
$D_a$ max.	144 mm
$r_a$ max.	1 mm
$r_b$ max.	1 mm
Basic dynamic load rating C	1730 kN
Basic static load rating $C_0$	2850 kN
Specific dynamic load factor K	300 N/mm <sup>2</sup>
Specific static load factor $K_0$	500 N/mm <sup>2</sup>
Mass plain bearing	5.4 kg