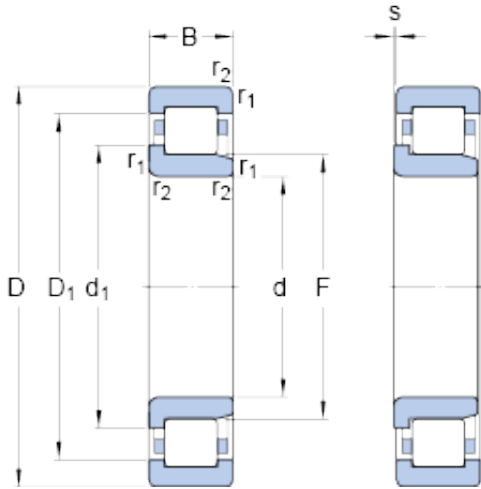




Bearing Driveshaft do Brasil



NJ 18/1320 ECMA Bearing 2D drawings and 3D CAD models

1320 mm x 1600 mm x 122 mm SKF NJ 18/1320 ECMA thrust ball bearings

Bearing No. NJ 18/1320 ECMA

Size	1600x1320x122 mm
Bore Diameter	1600 mm
Outer Diameter	1320 mm
Width	122 mm
d	1320 mm
D	1600 mm
B	122 mm
d ₁	1412 mm
D ₁	1512 mm
F	1385 mm
r _{1,2} - min.	6 mm
s	7.7 mm
d _a - min.	1343 mm
d _a - max.	1375 mm
d _b - min.	1420 mm
D _a - max.	1577 mm
r _a - max.	5 mm
Basic dynamic load rating - C	4460 kN
Basic static load rating - C ₀	11400 kN
Fatigue load limit - P _u	655 kN
Reference speed	260 r/min
Limiting speed	340 r/min
Calculation factor - k _r	
d ₁	1412 mm



Bearing Driveshaft do Brasil

D_1	1512 mm
$r_{1,2}$ min.	6 mm
s max.	7.7 mm
d_a min.	1343 mm
d_a max.	1375 mm
d_b min.	1420 mm
D_a max.	1577 mm
r_a max.	5 mm
Basic dynamic load rating C	4460 kN
Basic static load rating C_0	11400 kN
Fatigue load limit P_u	655 kN
Calculation factor k_r	0
Limiting value e	0.2
Axial load factor Y	0.6
Mass bearing	536 kg